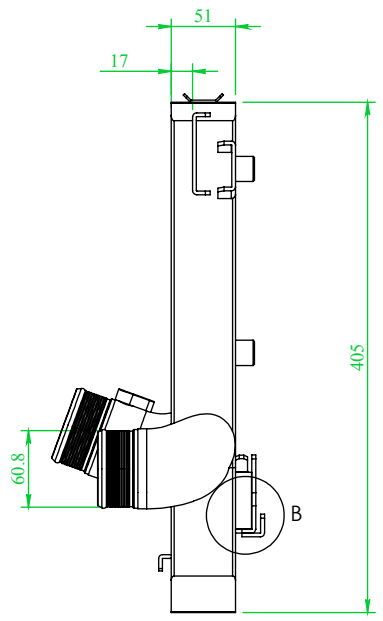
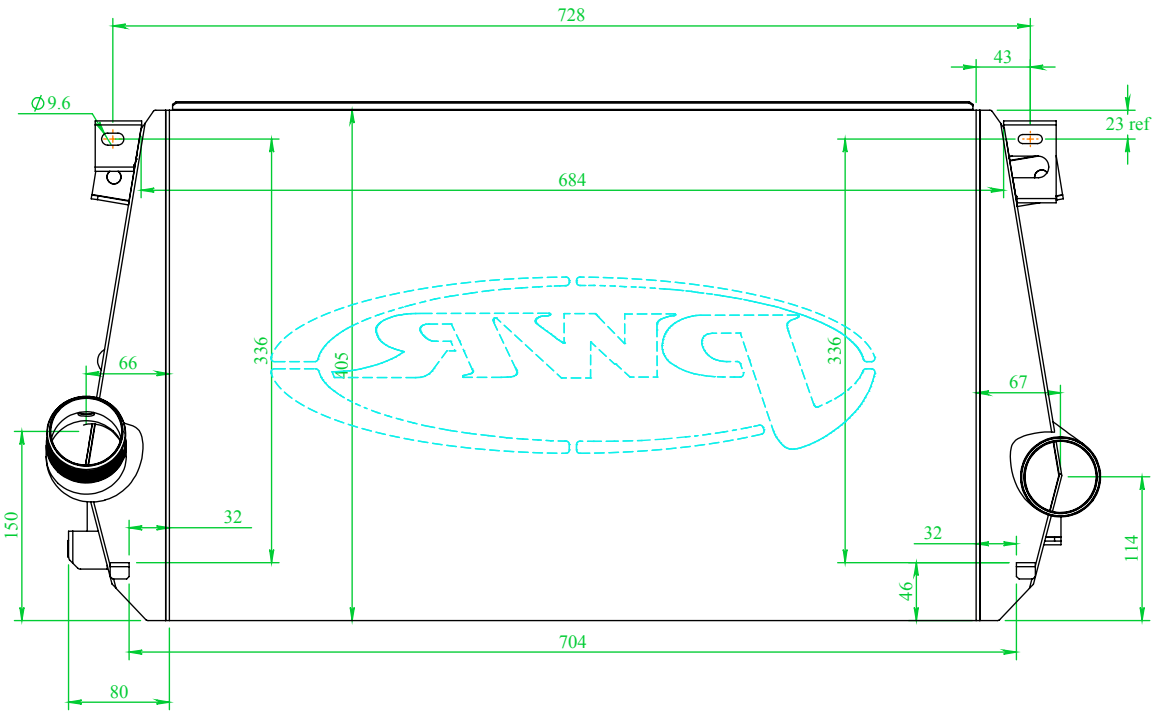
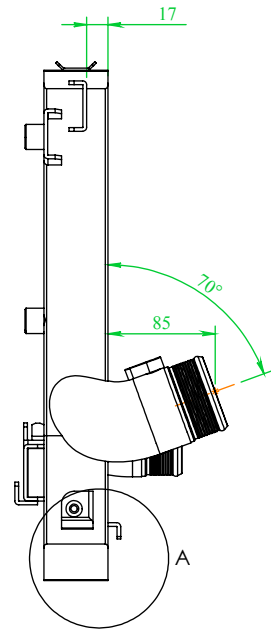
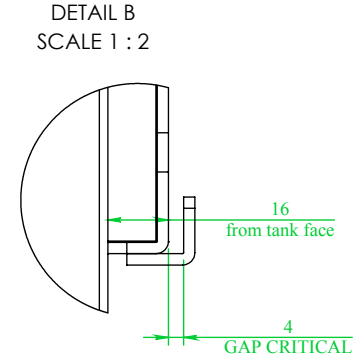
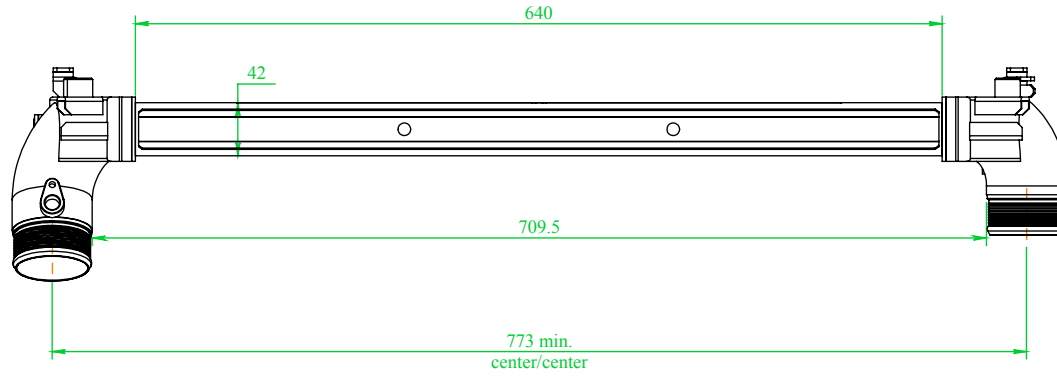
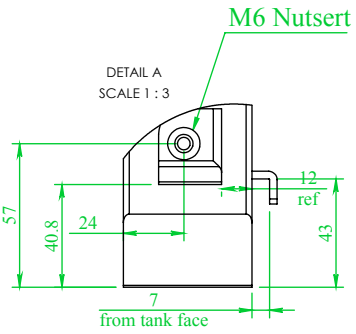


REVISIONS			
REV.	DESCRIPTION	DATE	BY
PR1	PROVISIONAL RELEASE - copied from 63123, modified	13/09/2018	JM
A	Release for production	13/09/2018	JM



TEST PRESSURE <small>If blank ref standards</small>			
20	psi	CORE 1	1 min
XXX	psi	CORE 2	1 min

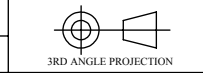
L:\PWR\AUTOCAD FILES\Part Numbers\81000-81999\81926 VW Amarok 2012-2016 V6 42mm Intercooler\01 - SW Assembly Model\PW181926

CUSTOMER APPROVAL				Description:	
Signed:		Date:		V6 Amarok 42mm Intercooler	
Material: 3003 Al	Sheet: 1 OF 3	Scale: NTS	Drawn by: J Martin	Customer: PWR Performance Products	
Finish: Bare	Checked by:		Customer Ref: -		Part No: PW181926
Tank Gauge: 3 mm	Date: 8/06/2016		REVISION: A		

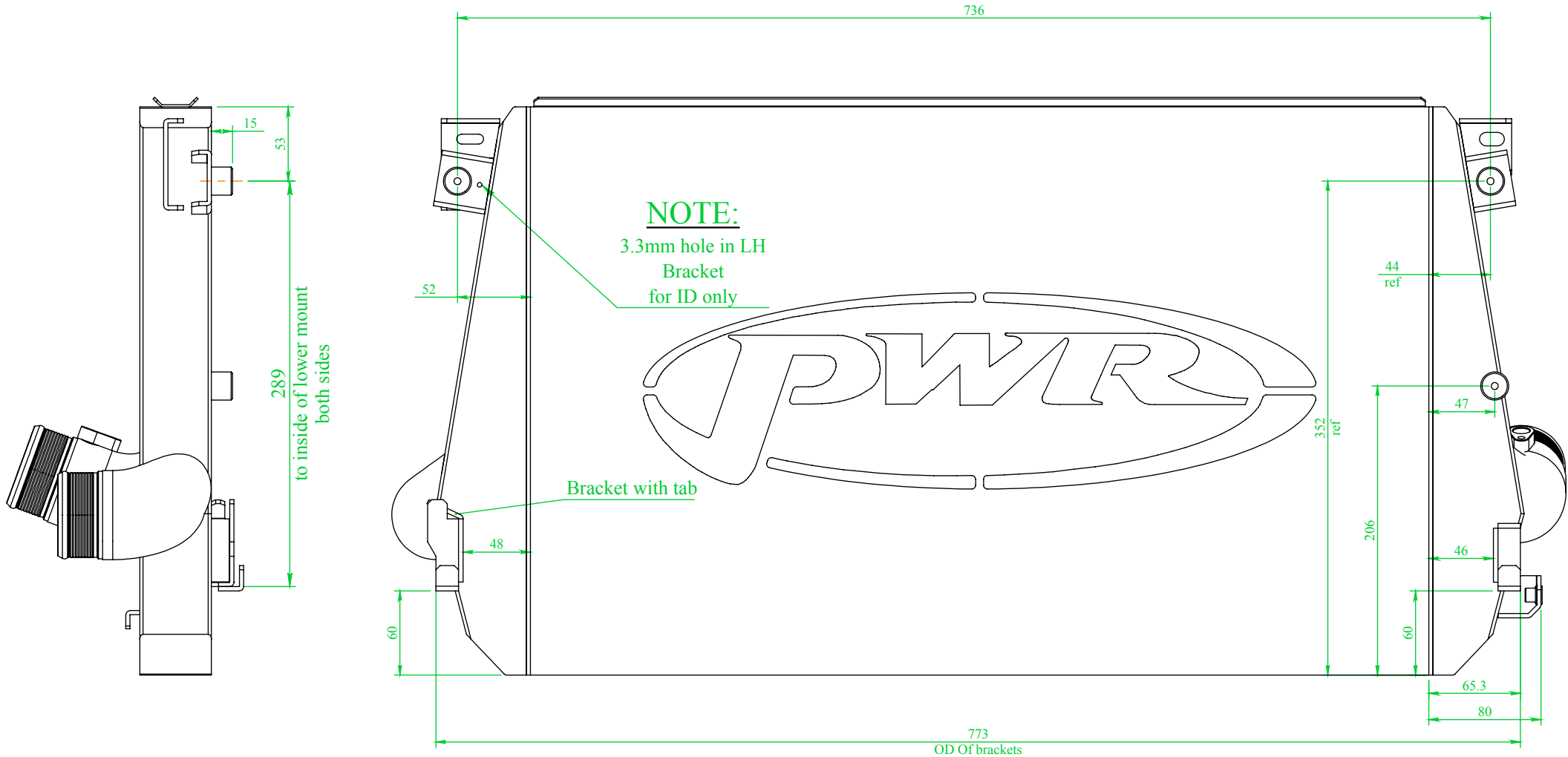
103 Lahrs Road, Ormeau, QLD 4208
Ph: 07 5547 1600 Fx: 07 5547 1666
info@pwr.com.au www.pwr.com.au

ENGINEERING THE UNFAIR ADVANTAGE

TOLERANCES - unless specified						
	≤6	>6-30	>30-120	>120-400	>400-10000	ANGLE°
Welding	±1	±1.5	±2	±2.5	±4	±2
Sheet Metal	±0.3	±0.5	±0.8	±1.2	±2	±1
Machining	±0.1	±0.2	±0.3	±0.5	±.8	±0.5



This Drawing remains the intellectual property of PWR Performance Products and must be destroyed or returned upon request - COPYRIGHT PWR PERFORMANCE PRODUCTS pty ltd © 2012




103 Lahrs Road, Ormeau, QLD, 4208
Ph: 07 5547 1600 Fx: 07 5547 1666
info@pwr.com.au www.pwr.com.au

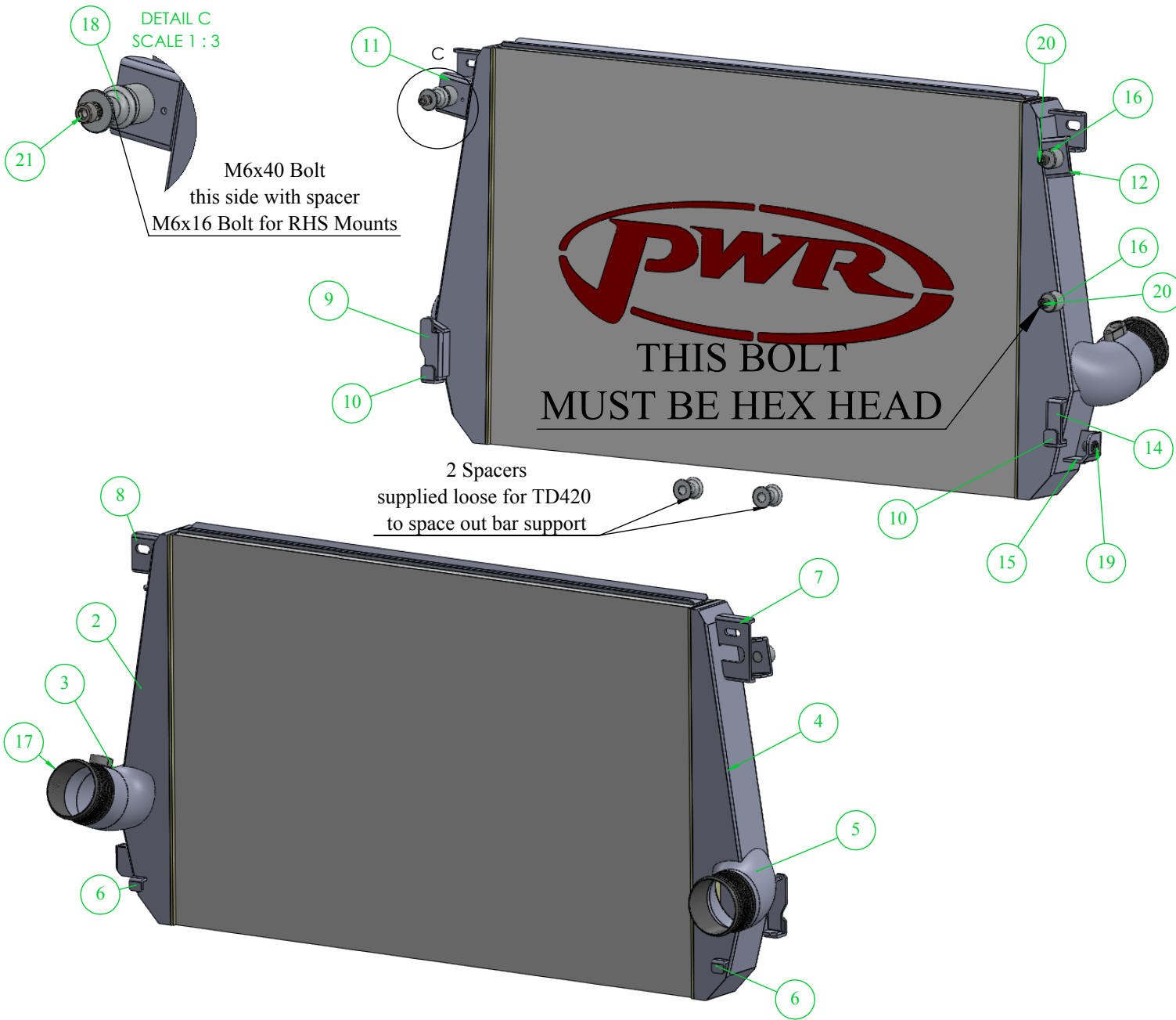
ENGINEERING THE UNFAIR ADVANTAGE

This Drawing Remains The Intellectual Property Of PWR Performance Products and must be destroyed or returned upon request from PWR
COPYRIGHT PWR PERFORMANCE PRODUCTS pty ltd © 2012

	TOLERANCES					
	≤6	>6-30	>30-120	>120-400	>400-1000	ANGLE°
Welding	±0.5	±1	±1.5	±2.5	±4	±2
Sheet Metal	±0.3	±0.5	±0.8	±1.2	±2	±1
Machining	±0.1	±0.2	±0.3	±0.5	±.8	±0.5

CUSTOMER APPROVAL			
Signed:		Date:	
Material: 3003 Al	Sheet: 2 OF 3	Scale: NTS	Drawn by: J Martin
Finish: Bare	 3 rd ANGLE PROJECTION		Checked by:
Tank Gauge:			Date: 8/06/2016

Description:		V6 Amarok 42mm Intercooler	
Customer:		PWR Performance Products	
Customer Ref:	-	Part No:	PWI81926

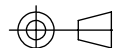


ITEM	PART #	Rev	Description	QTY.	Manufac/Process
1	PWIC81926		42mm Intercooler Core	1	
2	81926 SM01		LH Tank	1	FL
3	81926 T01		57mm TR Donut Outlet 1	1	TU
4	81926 SM02		RH Tank	1	FL
5	81926 T02		57mm TR Donut Outlet 2	1	TU
6	81926 SM03		3mm Mount 1	2	FL
7	81926 SM04		3mm RH Tank Top Mount	1	FL
8	81926 SM05		3mm LH Tank Top Mount	1	FL
9	81926 SM06		3mm AC LWR Mount 1	1	FL
10	81926 SM07		3mm AC LWR Mount 2	2	FL
11	81926 SM09		Top AC Mount 1	1	FL
12	81926 SM10		Top AC Mount 2	1	FL
13	81926 SM11		1.5mm Top Duet Cap	1	FL
14	81926 SM08		3mm AC LWR Mount 3	1	FL
15	81926 SM12		LWR Trans Mount BRKT	1	FL
16	01A14902	A	M6 Blind Boss 15mm Proud	3	M
17	06A18785	A	60mm Billet outlet with step	2	M
18	99A19837	A	Spacer Bush 22di x 22long 8.5mm thru hole	3	M
19	M6 Nutsert		M6 x 1.0 Nutsert	1	BI/S
20	SHCSM616		M6 x 16mm Socket Head Cap Screws	2	BI/S
21	SHCSM640		M6 x 40mm Socket Head Cap Screws	1	BI/S
22	08A22795	PR	IAT Sensore Port Ø12mm Bore M6 Thread	1	M

**ORDER 63.5mm
TR DONUT
3D PRINT AVAILABLE**


 103 Lahrs Road, Ormeau, QLD, 4208
 Ph: 07 5547 1600 Fx: 07 5547 1666
 info@pwr.com.au www.pwr.com.au
ENGINEERING THE UNFAIR ADVANTAGE
This Drawing Remains The Intellectual Property Of PWR Performance Products and must be destroyed or returned upon request from PWR
 COPYRIGHT PWR PERFORMANCE PRODUCTS Pty Ltd © 2012

TOLERANCES		CUSTOMER APPROVAL				
	≤6	>6-30	>30-120	>120-400	>400-1000	ANGLE*
Welding	±0.5	±1	±1.5	±2.5	±4	±2
Sheet Metal	±0.3	±0.5	±0.8	±1.2	±2	±1
Machining	±0.1	±0.2	±0.3	±0.5	±.8	±0.5

Signed: _____		Date: _____	
Material: 3003 Al	Sheet: 3 OF 3	Scale: NTS	Drawn by: J Martin
Finish: Bare	Checked by: _____		Date: 8/06/2016
Tank Gauge: _____	 3 rd ANGLE PROJECTION		

Description: V6 Amarok 42mm Intercooler	
Customer: PWR Performance Products	
Customer Ref: -	Part No: PWI81926