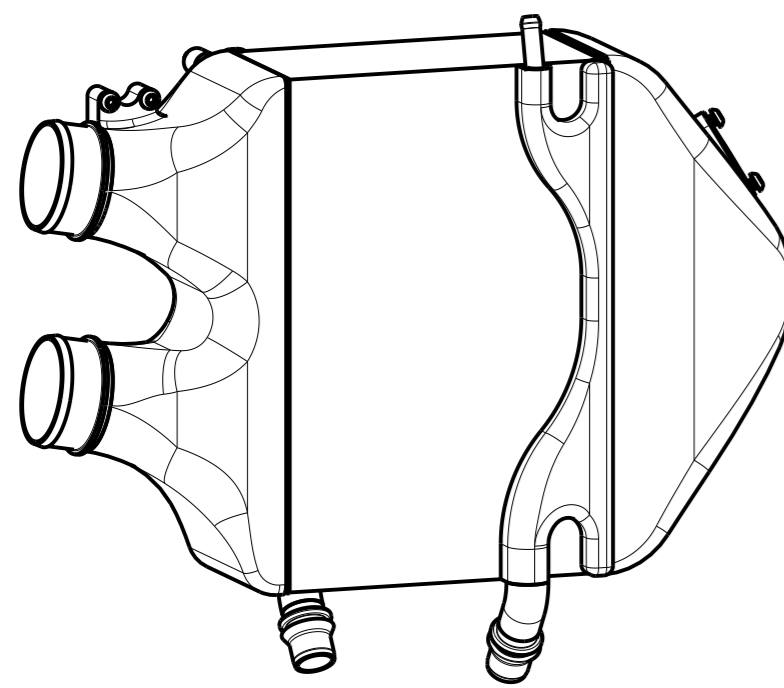
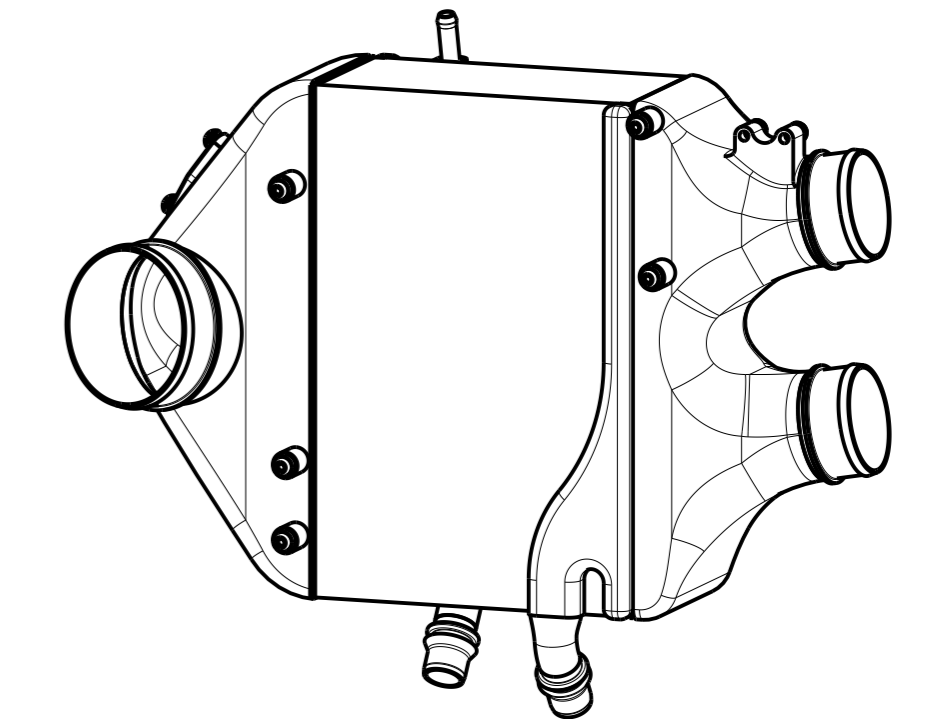
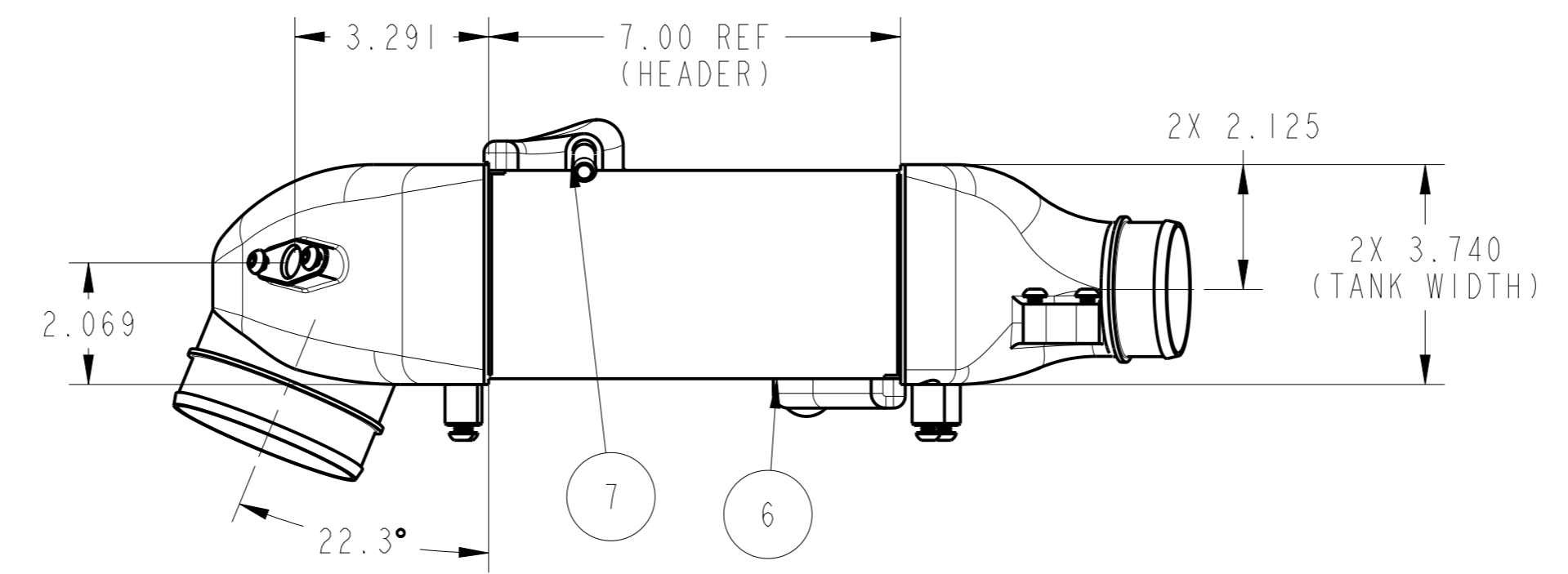


THIS DRAWING MUST BE RETURNED TO C&R OR DESTROYED UPON REQUEST

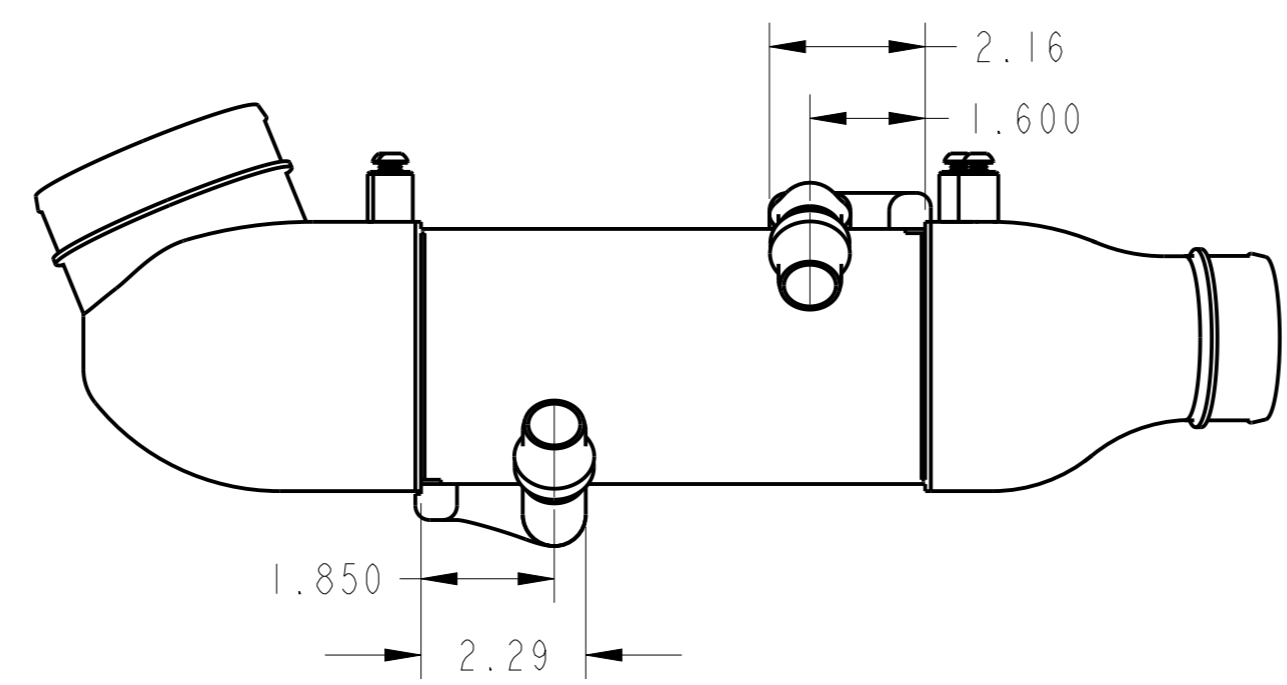
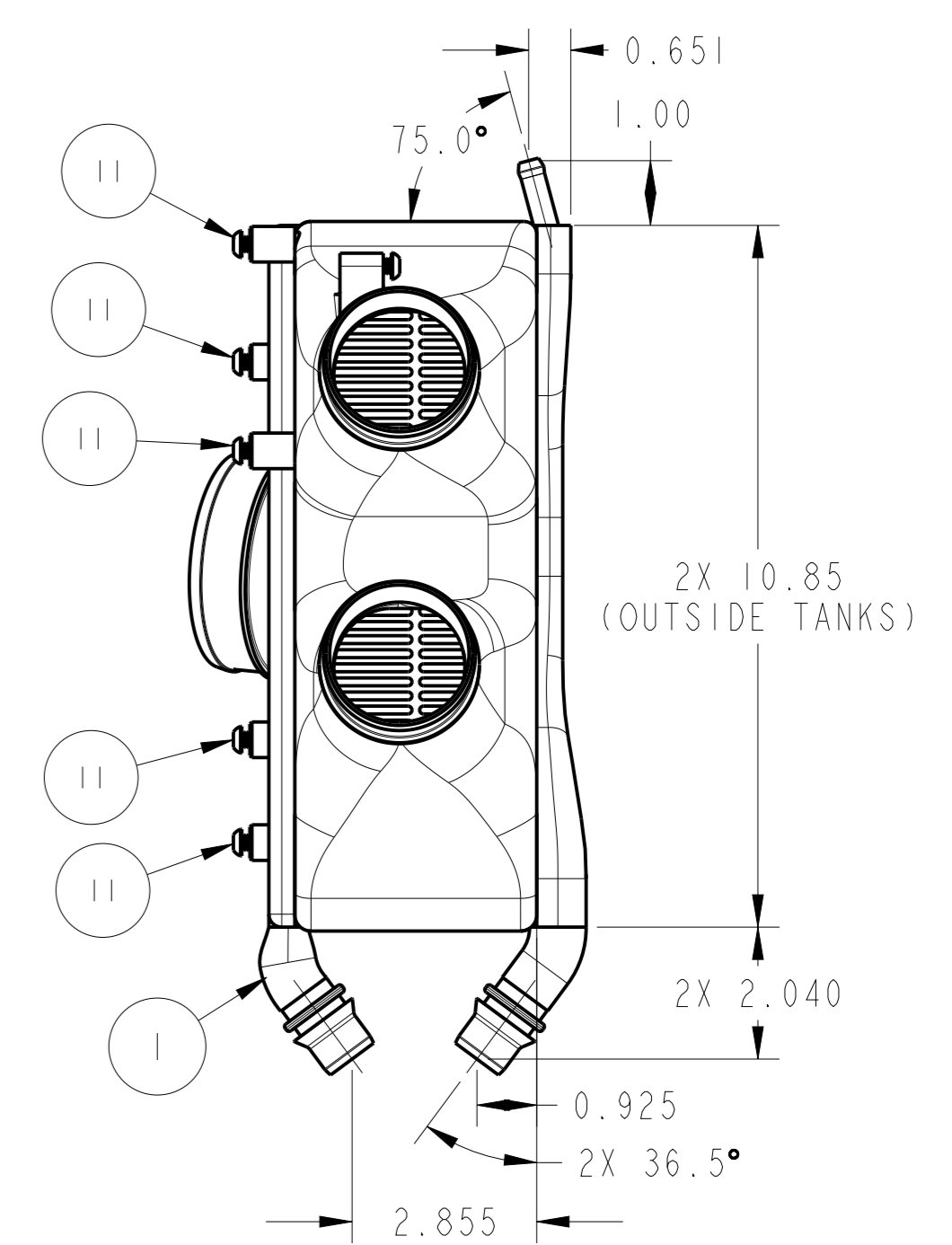
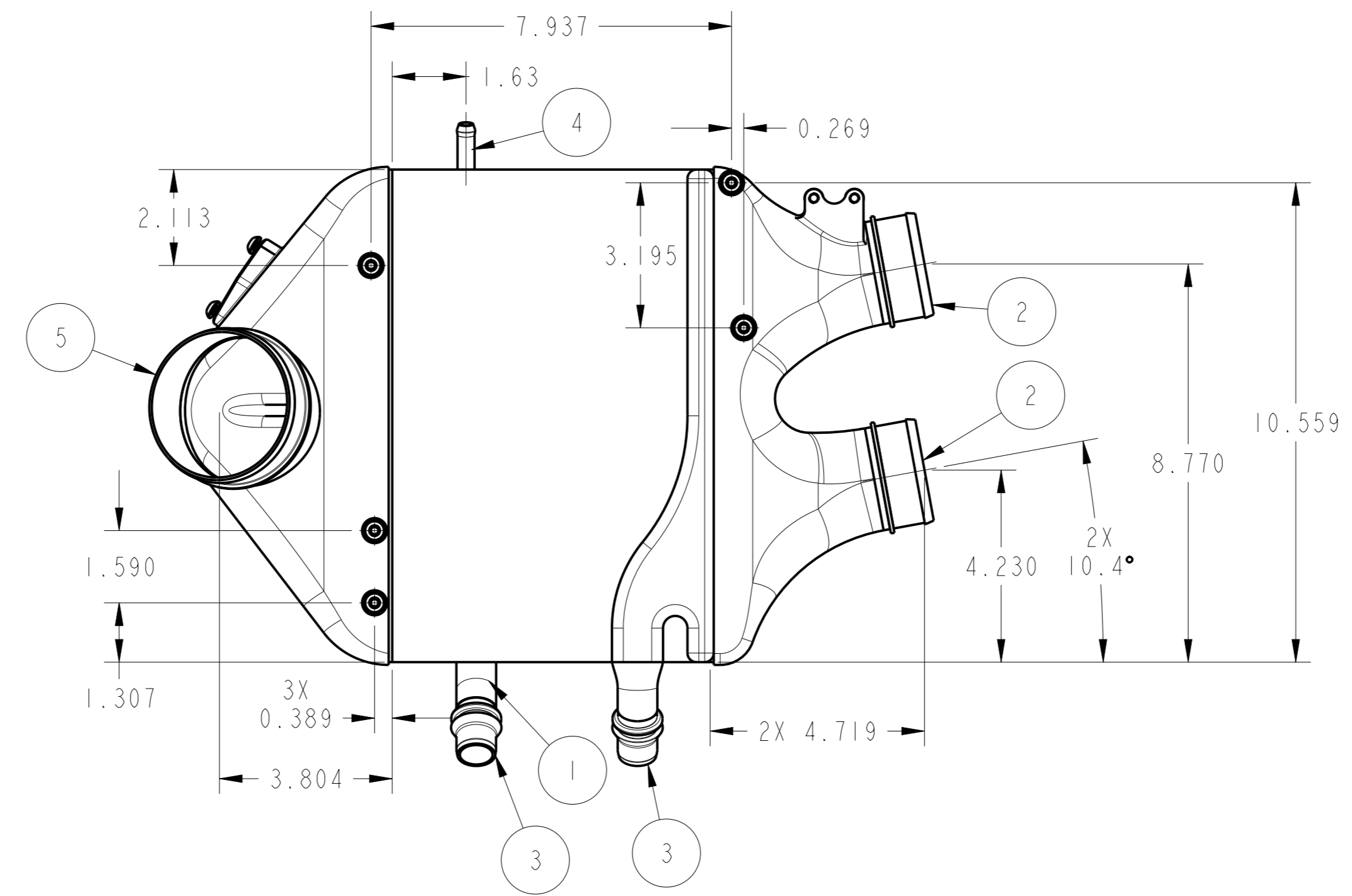
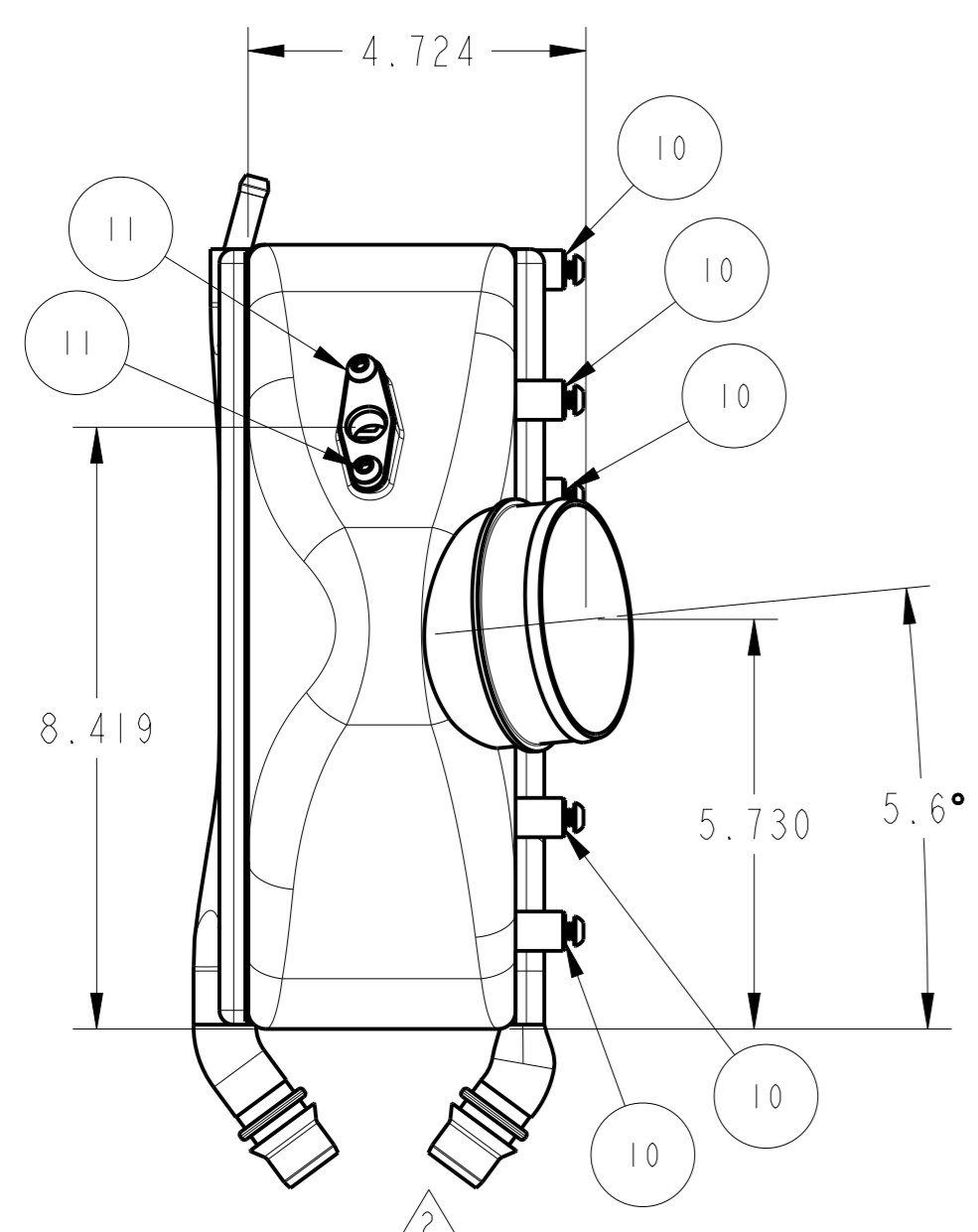
THE INFORMATION CONTAINED IN THIS DRAWING IS THE SOLE PROPERTY OF C&R RACING INC. ANY REPRODUCTION IN PART OR WHOLE WITHOUT THE WRITTEN PERMISSION OF C&R RACING INC. IS PROHIBITED



SCALE 0.250



SCALE 0.250



NOTE:
PRESSURE CHECK AT 30 PSIG
DO NOT PAINT LOGO ON CORE FACE
DO NOT WELD END TUBES CLOSED
USE ER4043 WELDING ROD

11	MCM92095A226	9	BHCS, M6-1.00, X 12MM LONG, SS
10	CR-UC-RPX004A	5	MOUNTING BOSS- M6X1.00 THREAD
9	CR-UC-RP1015B-004	1	M4 F82 CAC SIDE BILLET TANK - INLET
8	CR-UC-RP1015B-003	1	M4 F82 CAC SIDE BILLET TANK - OUTLET
7	CR-UC-RP1015B-002	1	M4 F82 WATER SIDE BILLET TANK - INLET
6	CR-UC-RP1015B-001	1	M4 F82 WATER SIDE BILLET TANK - OUTLET
5	CR-UC-RPF015A	1	85MM DIA. HOSE BARB FITTING
4	CR-UC-MPF004A	1	0.375 DIA. HOSE BARB FITTING
3	CR-UC-MPF003A	2	BMW Q/D FITTING
2	CR-UC-MPF001A	2	58MM DIA. HOSE BARB FITTING
1	AL6061LB.875X1.00	2	0.875 DIA. X R1.00 ALUM L-BEND
INDEX	PART NUMBER	QTY	DESCRIPTION

CR-UC-RP1015B

CUSTOMER: CR RACING
DRAWING NUMBER: CR-UC-RP1015B

Please Note - All components used in the manufacture of the core matrix are common off the shelf parts (O/S) which have a history in commercial use and will continue to be used for other commercial applications. This does not apply to any project specific components designed to join to the core matrix, such as header tanks, which are used to form an assembly.



6950 GUION ROAD
INDIANAPOLIS, INDIANA 46268
PHONE: 317-293-4100
FAX: 317-293-4110
WWW.CRRACING.COM

THIRD ANGLE PROJECTION

ISSUE	MODIFICATIONS	BY	CHK	DATE
2	CHANGED WATER OUTLET TANK AND FITTING	DAS	--	02/17/22
1	ISSUED FOR PRODUCTION	DAS	JA	07/31/19
PI	PROTOTYPE RELEASE			

TANK MATERIAL AL6061-T6	FINISH CLEAN	PLEASE INFORM C&R OF DRAWING ERRORS 3D CAD MODEL AVAILABLE ON REQUEST		DO NOT SCALE IF IN DOUBT ASK
MOUNT MATERIAL N / A	CORE SIZE 7.00 X 10.85	DIMENSIONS IN INCHES ANGLES IN DEGREES TOLERANCE AS BELOW UNLESS OTHERWISE STATED 1 DECIMAL PLACES ± 0.250 2 DECIMAL PLACES ± 0.125 3 DECIMAL PLACES ± 0.090 ANGLES ± 2.0		REMOVE ALL BURRS AND SHARP EDGES
CORE PART NUMBER CR-UC-RP1015B		DRAWN DAS		SHEET 1 OF 1
CUSTOMER REFERENCE NUMBER		CHKD. BY SC	DATE 07/30/19	SCALE 1 : 3
CUSTOMER CR RACING		MODEL M4 F82 87MM WCAC - WIDE HEADER		DRAWING NUMBER CR-UC-RP1015B